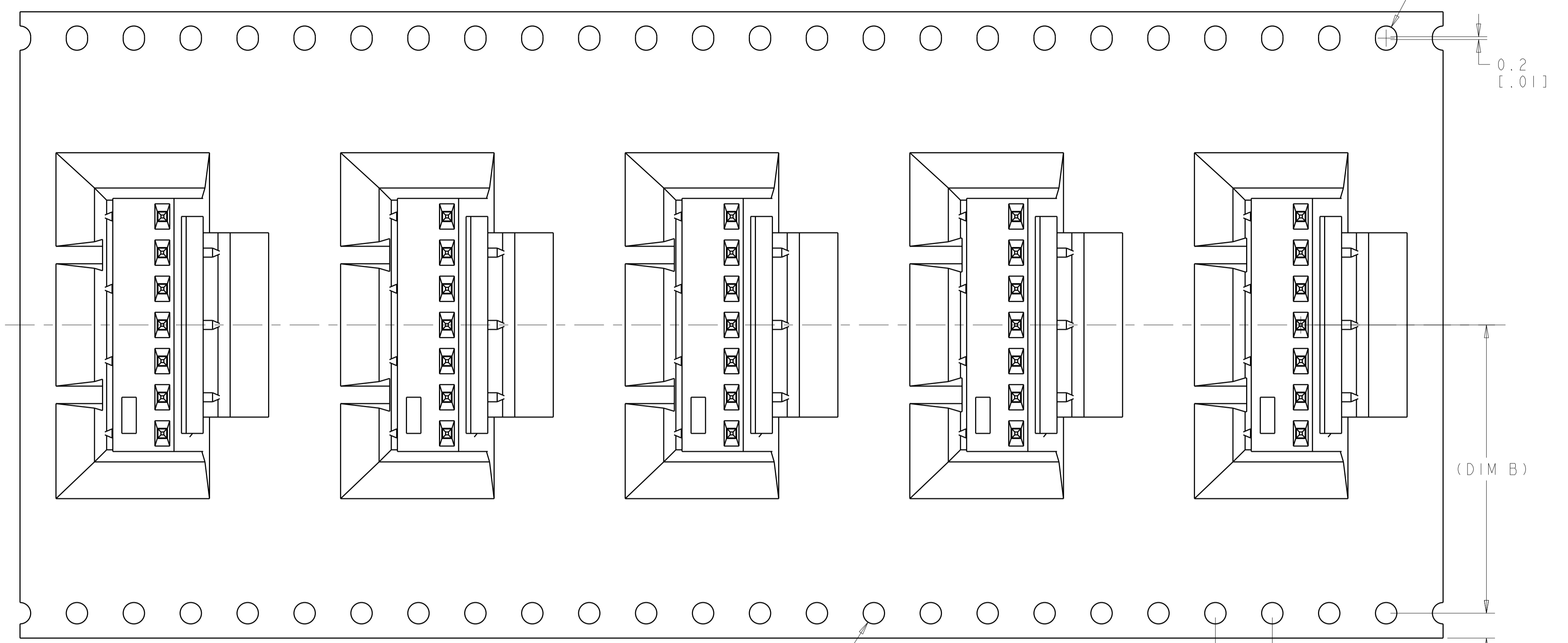
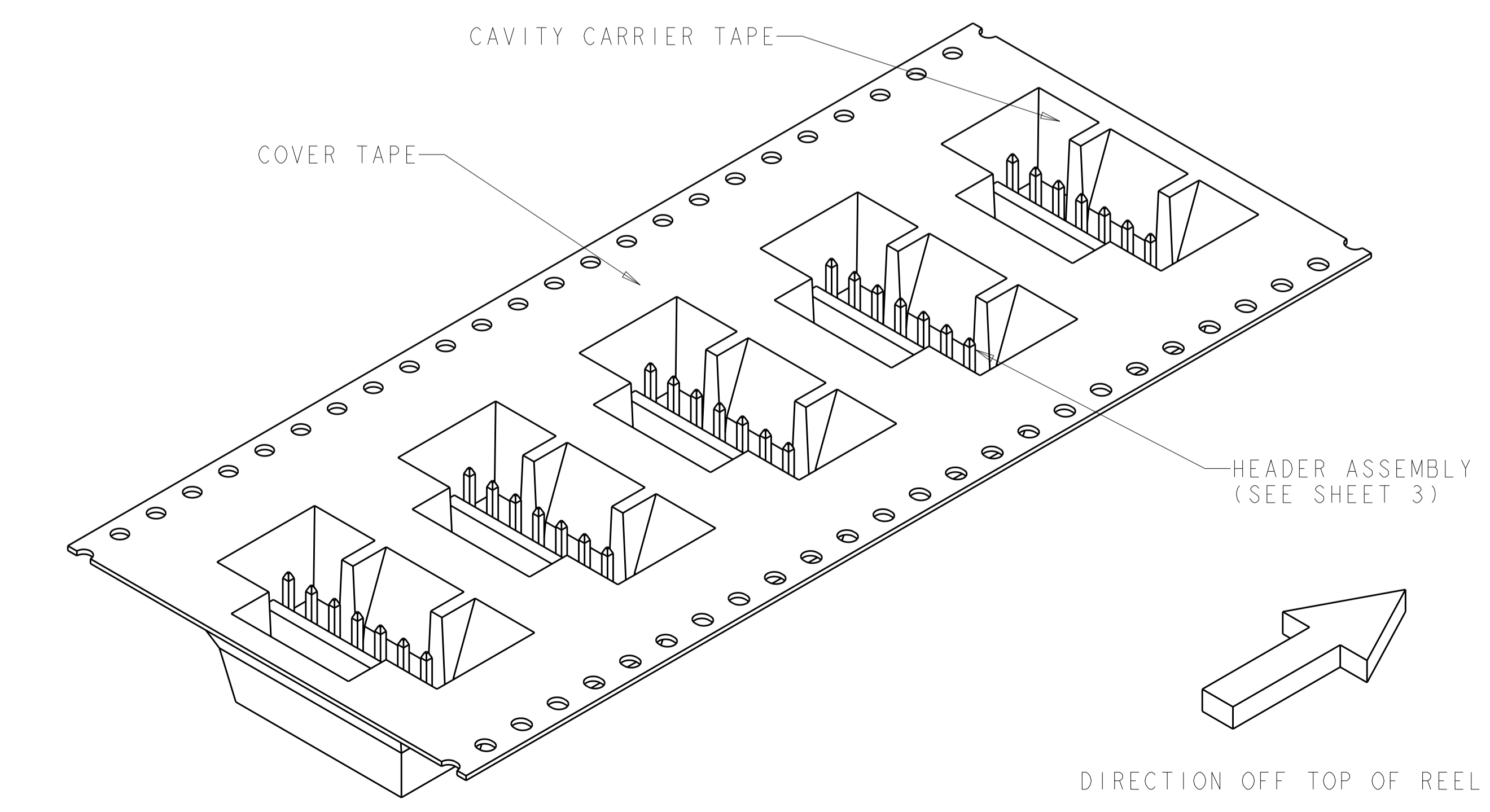
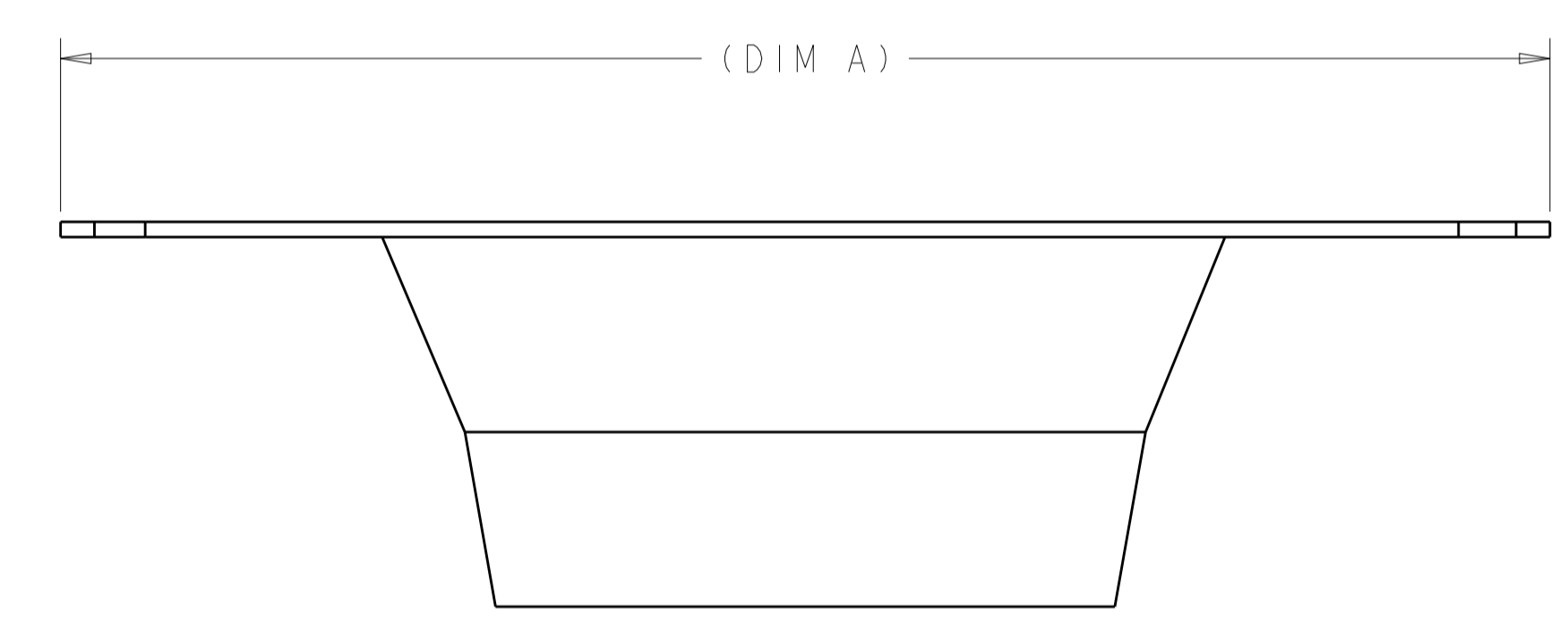
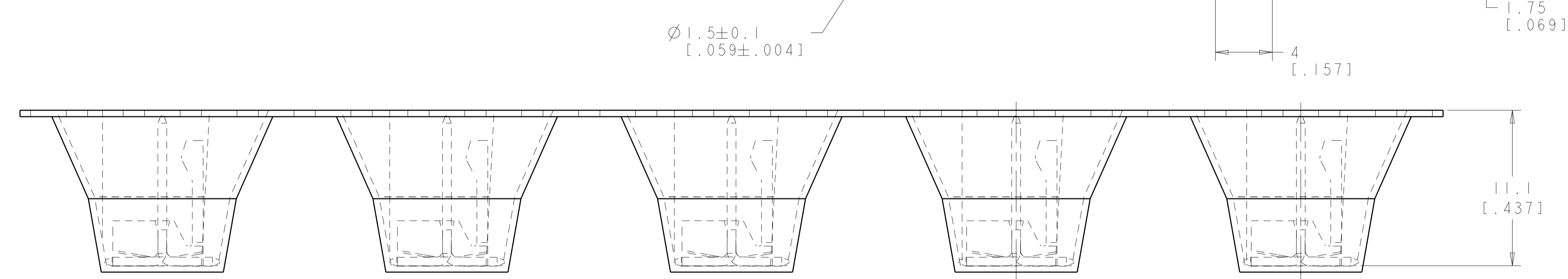


LOC	DIST	REVISIONS					
CM	00	P.	LTN	DESCRIPTION	DATE	DWN	APVD
		D		REVISED PER ECO-12-009012	30AUG2012	KH	SM
		D1		REVISED PER ECR-14-006930	27MAY2014	AV	KD
		D2		REVISED PER ECR-14-016309	27NOV2014	O.C	D.Z



- △ MATERIAL:  
 HEADER- NYLON 4/6, HIGH TEMPERATURE, UL94V-0  
 POST: COPPER ALLOY  
 CAVITY CARRIER TAPE: BLACK CONDUCTIVE POLYCARBONATE  
 COVER TAPE: POLYESTER FILM TAPE.
- ② FINISH:  
 HOUSING: COLOR, BLACK  
 POST: TIN PLATED.
- ③ POSTS TO WITHSTAND 13 NEWTONS [3 LBS] MIN AXIAL FORCE IN THIS DIRECTION WITHOUT DISLODGING, BEFORE SOLDERING.
- ④ POSTS SOLDER TAILS MUST COMPLY WITH AMP SOLDERABILITY SPEC 109-11-2.
- ⑤ MEASURED AT [-A-].
- ⑥ APPLIES WHEN HEADER IS HELD STRAIGHT.
- ⑦ COORDINATE DIMENSION APPLIES FROM CENTER OF ACTUAL FEATURE.
- ⑧ DIMENSIONS APPLY TO THE COMPONENT SIDE OF BOARD.
- ⑨ MAXIMUM TEMPERATURE EXPOSURE DURING REFLOW SOLDERING NOT TO EXCEED 280°C [536°F].
- 10. HEADERS ARE SUPPLIED ON A 330.2mm [13 INCH] DIAMETER REEL, WITH 225 PARTS PER REEL. THE CAVITY CARRIER TAPE HOLDS 1 PART PER POCKET, ORIENTED AS SHOWN.
- △1 TE LOGO, UL AND CSA TRADEMARKS TO APPEAR ON THIS SURFACE.
- △3 OBSOLETE PARTS.

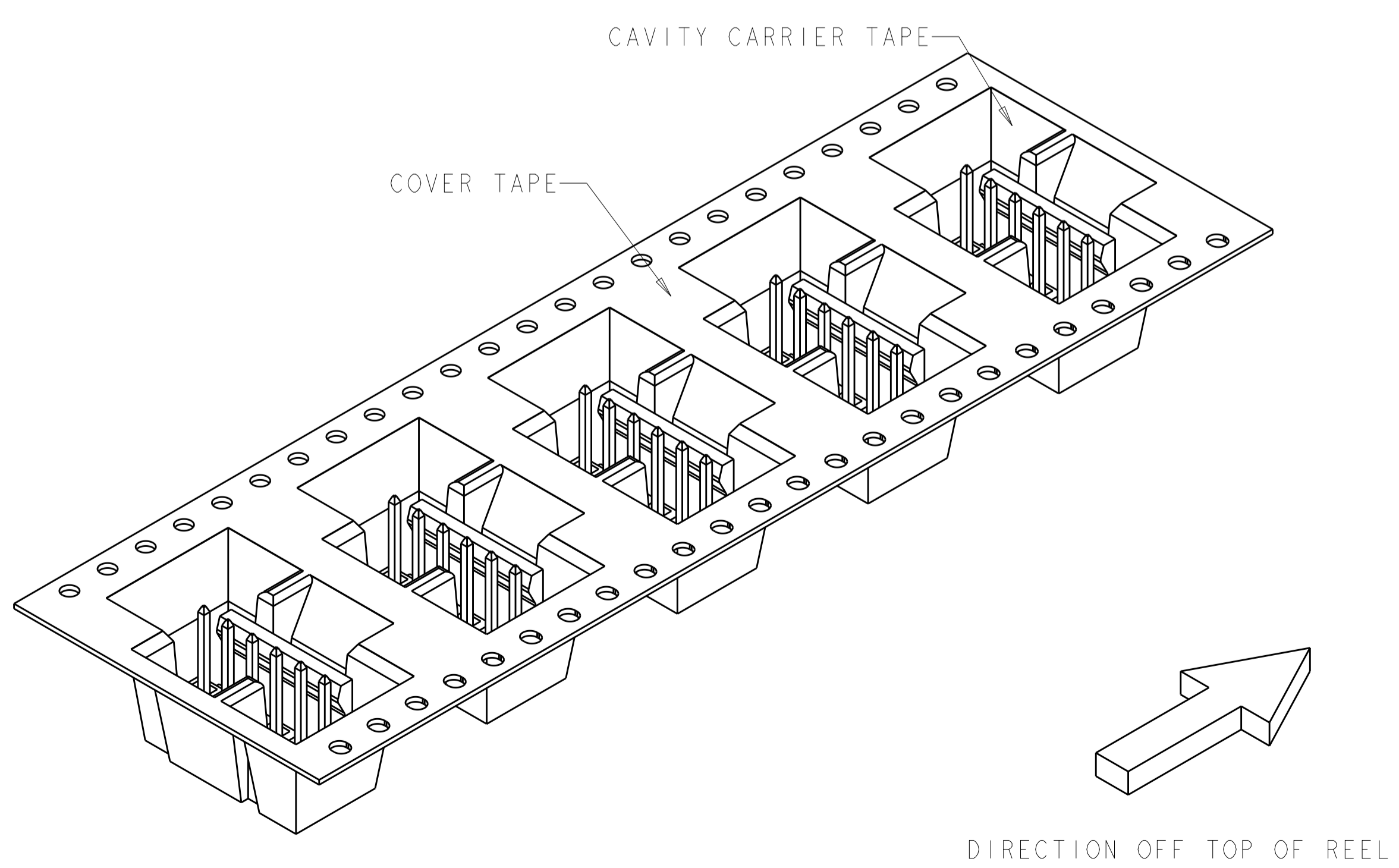
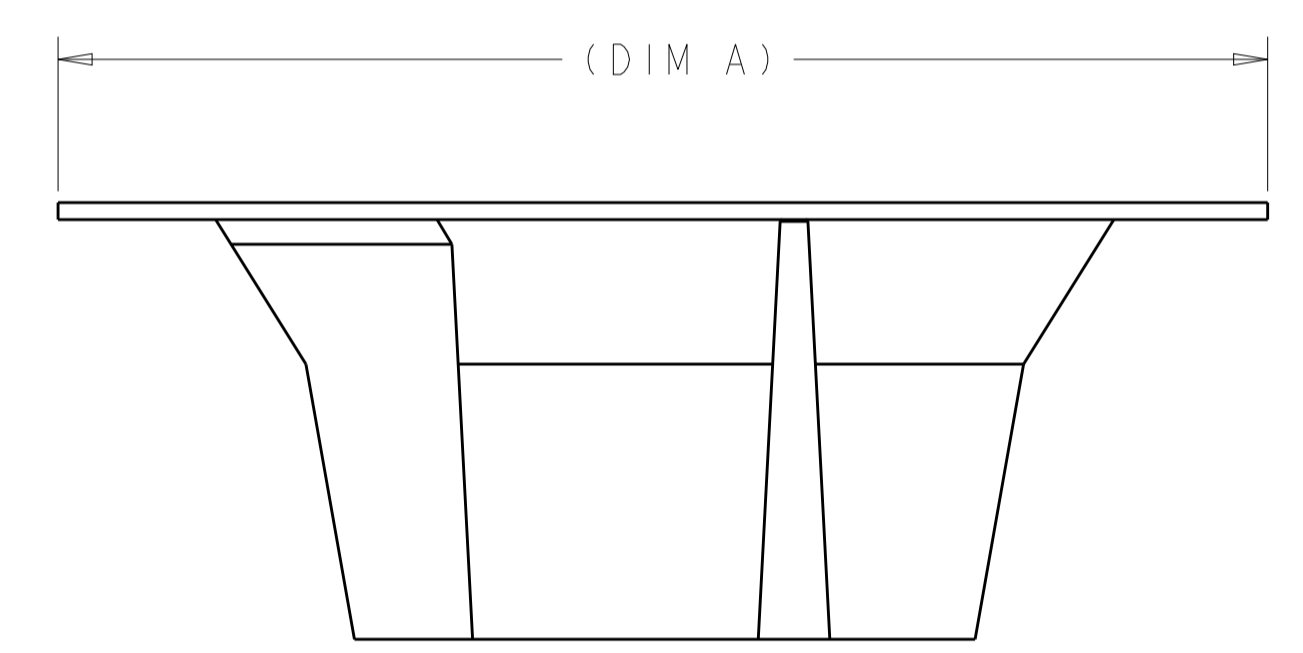
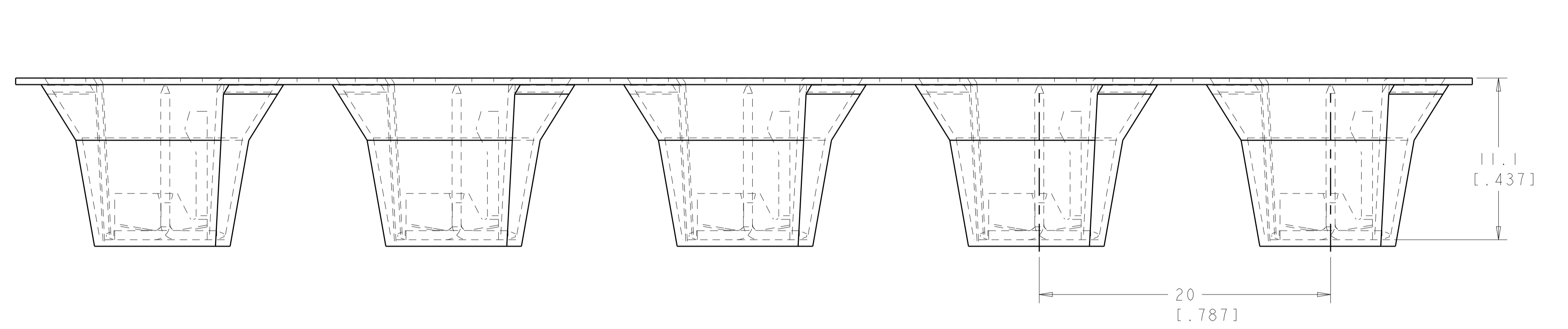
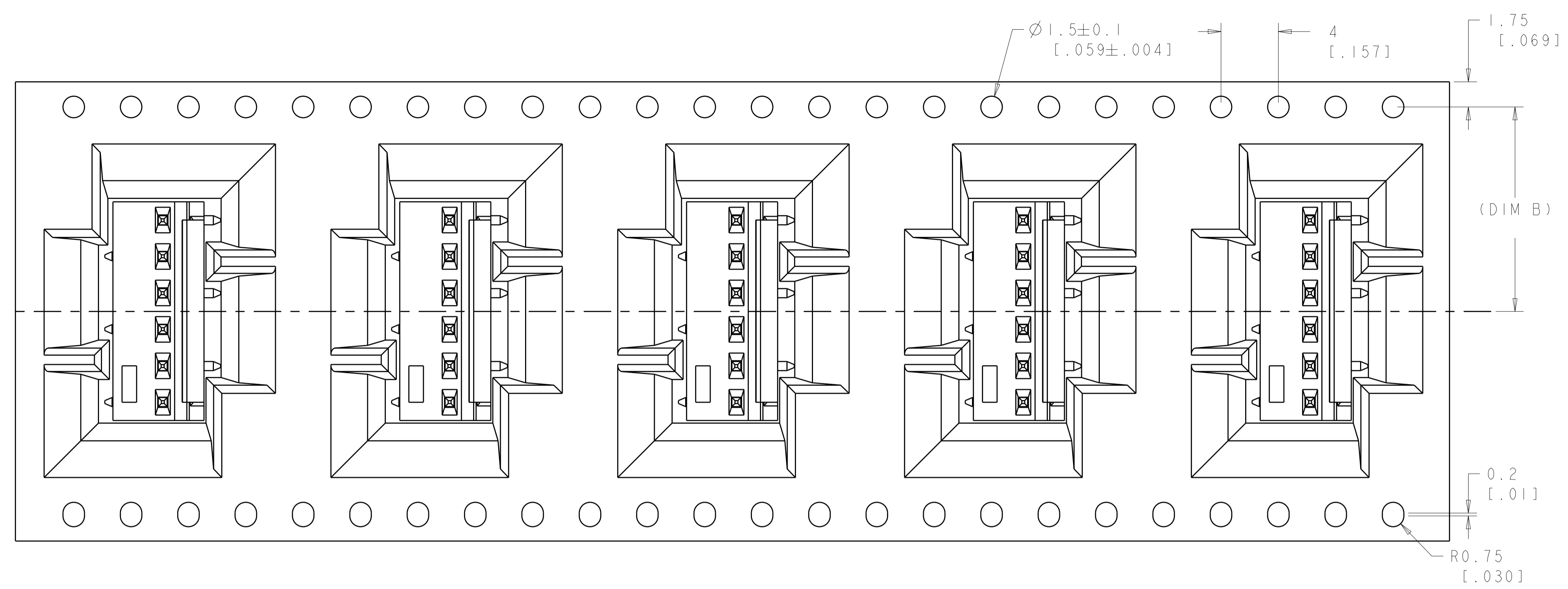


FOR ODD P/N 647502-7 SHOWN

SEE SHEET 3 FOR PART NUMBER TABLE

THIS DRAWING IS A CONTROLLED DOCUMENT.		DWN K. WHITAKER	27SEP2001	TE Connectivity
DIMENSIONS: mm [INCHES]		CHK D. BOSSI	27SEP2001	
TOLERANCES UNLESS OTHERWISE SPECIFIED:		APVD D. BOSSI	27SEP2001	NAME MTA-100 HDR ASSY, SURFACE MOUNT, FRICTION LOCK, .025 SQ STRAIGHT POST, TIN PLATED, CARRIER TAPE LOADED
0 PLC	±	PRODUCT SPEC		APPLICATION SPEC
1 PLC	±	APPLICATION SPEC		SIZE
2 PLC	±0.25 [0.010]			CAGE CODE
3 PLC	±0.13 [0.005]			DRAWING NO
4 PLC	±			RESTRICTED TO
ANGLES	±			A100779C=647502
FINISH	±	WEIGHT		SCALE
				N/A
		CUSTOMER DRAWING		SHEET 1 OF 3
				REV D2

LOC		DIST		REVISIONS			
CM	00	P	LTN	DESCRIPTION	DATE	DWN	APVD
		-		SEE SHEET 1			

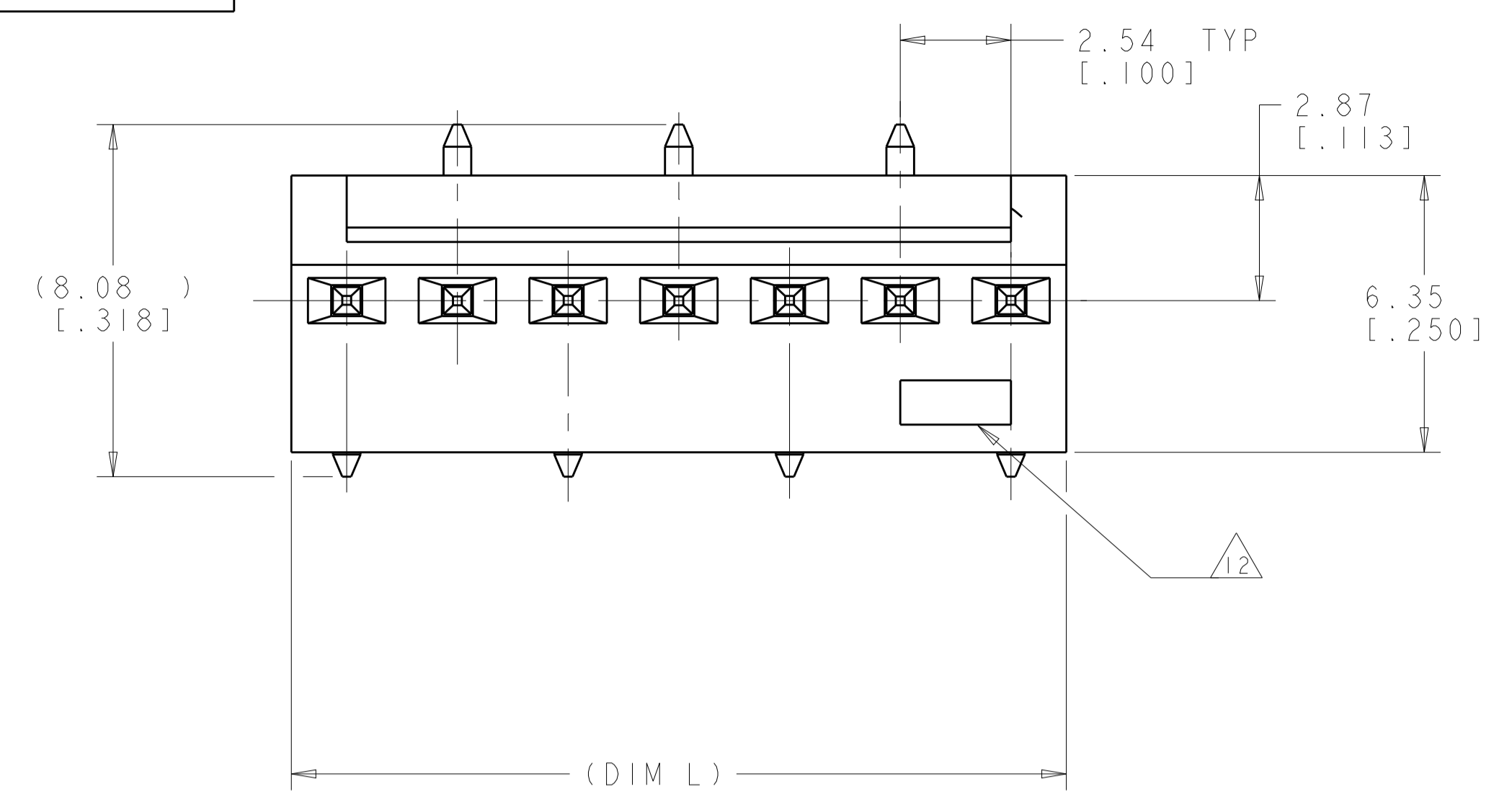


FOR EVEN P/N 647502-6 SHOWN

SEE SHEET 3 FOR PART NUMBER TABLE

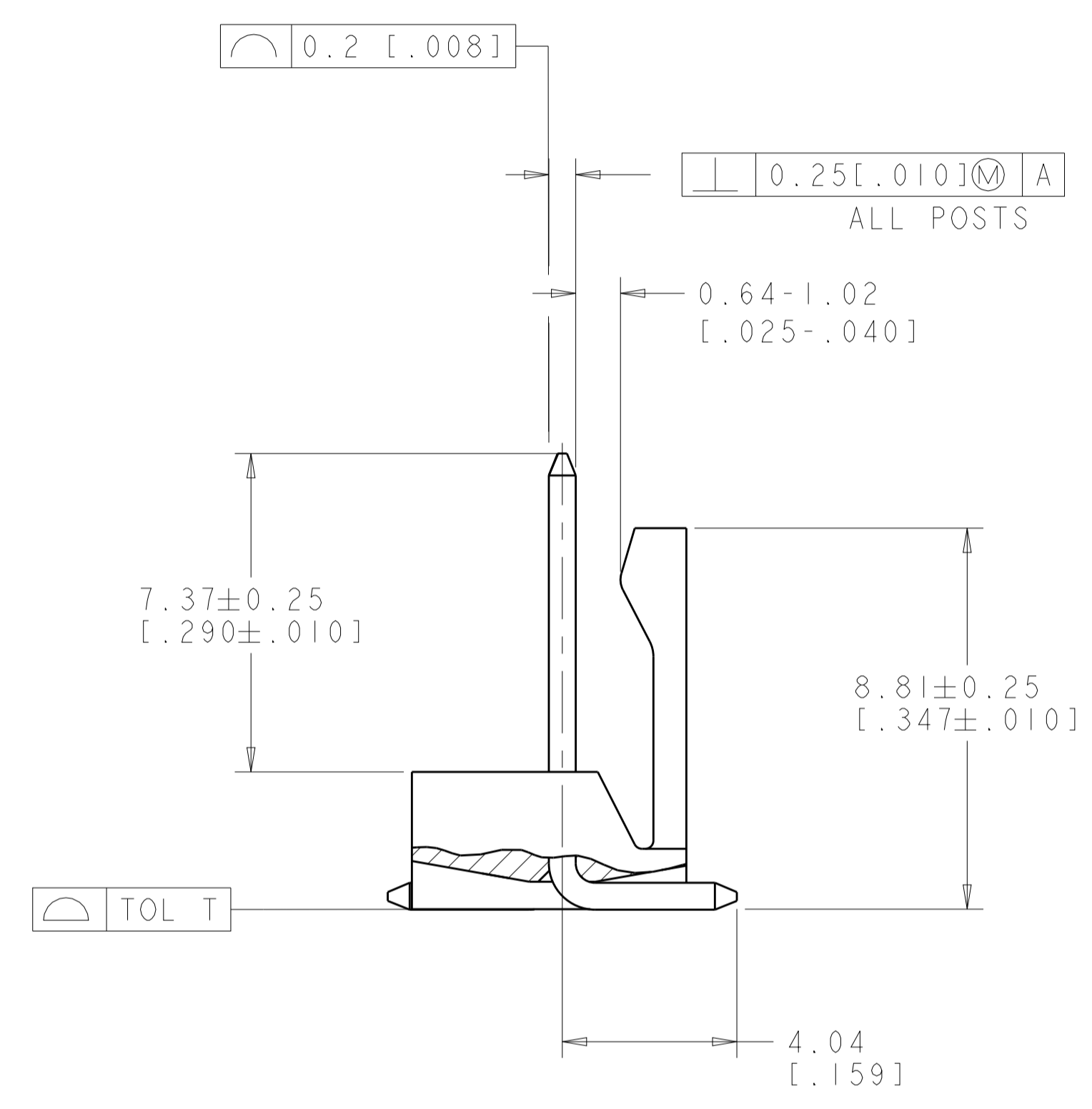
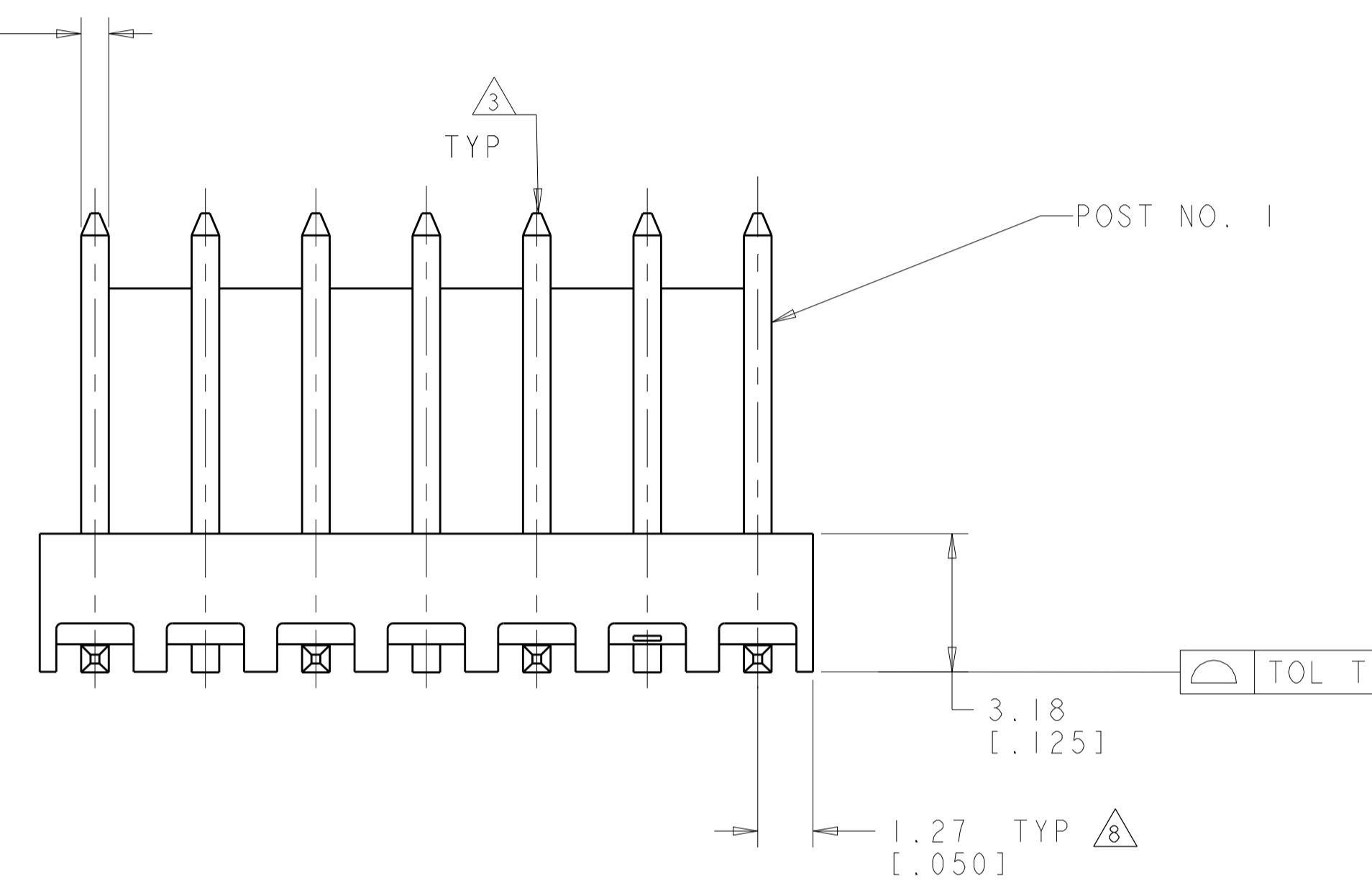
THIS DRAWING IS A CONTROLLED DOCUMENT.		DWN: R. WHITAKER 27SEP2001	TE Connectivity
DIMENSIONS: mm [INCHES]		CHK: D. BOSSI 27SEP2001	
TOLERANCES UNLESS OTHERWISE SPECIFIED:		APVD: D. BOSSI 27SEP2001	NAME: MTA-100 HDR ASSY, SURFACE MOUNT, FRICTION LOCK, .025 SQ STRAIGHT POST, TIN PLATED, CARRIER TAPE LOADED
0 PLC ±	1 PLC ±	PRODUCT SPEC	SIZE: CAGE CODE DRAWING NO. RESTRICTED TO
2 PLC ±0.25 [0.010]	3 PLC ±0.13 [0.005]	APPLICATION SPEC	A100779C=647502
4 PLC ±	ANGLES 40°/30°	WEIGHT	CUSTOMER DRAWING
MATERIAL	FINISH	SCALE: N/A	SHEET 2 OF 3 REV D2

LOC	DIST	REV	DATE	BY	APPV
CM	00				

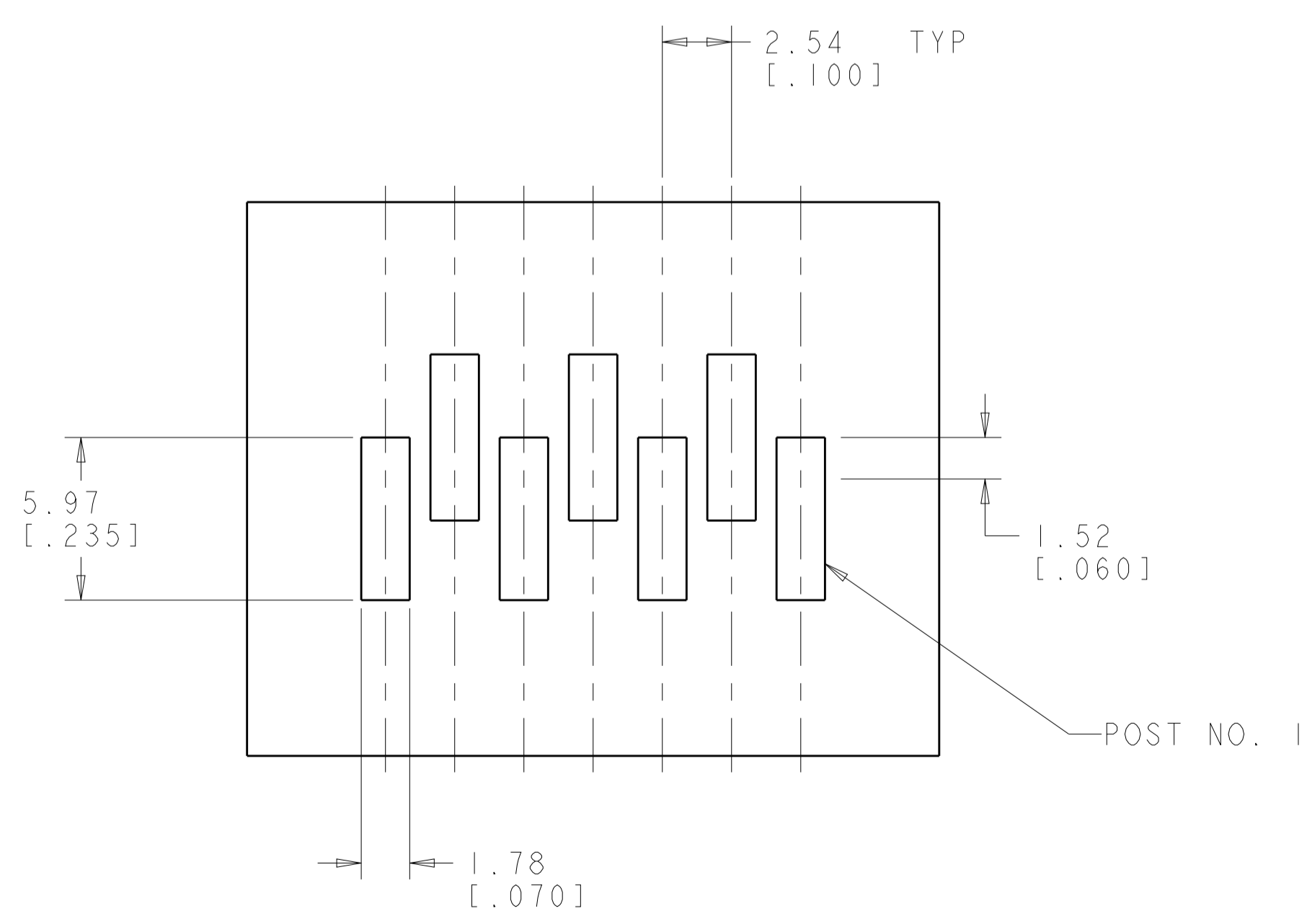


0.64±0.02 SQUARE  
[0.025±0.011]

0.25 [0.010] M
0.2 [0.008] M
0.05 [0.002] M



HEADER ASSEMBLY  
SCALE 8:1



PRELIMINARY	0.2 [0.008]	34.25 [1.348]	72.00 [2.835]	45.72 [1.800]	18	4-647502-8
PRELIMINARY	0.2 [0.008]	34.25 [1.348]	72.00 [2.835]	43.18 [1.700]	17	4-647502-7
PRELIMINARY	0.2 [0.008]	34.25 [1.348]	72.00 [2.835]	40.64 [1.600]	16	4-647502-6
PRELIMINARY	0.2 [0.008]	34.25 [1.348]	72.00 [2.835]	38.10 [1.500]	15	4-647502-5
PRELIMINARY	0.2 [0.008]	26.20 [1.031]	56.00 [2.205]	35.56 [1.400]	14	4-647502-4
PRELIMINARY	0.2 [0.008]	26.20 [1.031]	56.00 [2.205]	33.02 [1.300]	13	4-647502-3
PRELIMINARY	0.15 [0.006]	26.20 [1.031]	56.00 [2.205]	30.48 [1.200]	12	4-647502-2
PRELIMINARY	0.15 [0.006]	26.20 [1.031]	56.00 [2.205]	27.94 [1.100]	11	4-647502-1
PRELIMINARY	0.15 [0.006]	20.20 [0.795]	44.00 [1.732]	25.40 [1.000]	10	4-647502-0
PRELIMINARY	0.15 [0.006]	20.20 [0.795]	44.00 [1.732]	22.86 [0.900]	9	3-647502-9
	0.15 [0.006]	20.20 [0.795]	44.00 [1.732]	20.32 [0.800]	8	3-647502-8
	0.15 [0.006]	20.20 [0.795]	44.00 [1.732]	17.78 [0.700]	7	3-647502-7
	0.15 [0.006]	14.20 [0.559]	32.00 [1.260]	15.24 [0.600]	6	3-647502-6
	0.15 [0.006]	14.20 [0.559]	32.00 [1.260]	12.70 [0.500]	5	3-647502-5
	0.15 [0.006]	14.20 [0.559]	32.00 [1.260]	10.16 [0.400]	4	3-647502-4
	0.15 [0.006]	14.20 [0.559]	32.00 [1.260]	7.62 [0.300]	3	3-647502-3
	0.15 [0.006]	11.50 [0.453]	24.00 [0.945]	5.08 [0.200]	2	3-647502-2
TOL T	DIM B	DIM A	DIM L	NO. OF POSN	PART NUMBER	

PRELIMINARY	0.2 [0.008]	34.25 [1.348]	72.00 [2.835]	45.72 [1.800]	18	1-647502-8
PRELIMINARY	0.2 [0.008]	34.25 [1.348]	72.00 [2.835]	43.18 [1.700]	17	1-647502-7
PRELIMINARY	0.2 [0.008]	34.25 [1.348]	72.00 [2.835]	40.64 [1.600]	16	1-647502-6
PRELIMINARY	0.2 [0.008]	34.25 [1.348]	72.00 [2.835]	38.10 [1.500]	15	1-647502-5
PRELIMINARY	0.2 [0.008]	26.20 [1.031]	56.00 [2.205]	35.56 [1.400]	14	1-647502-4
PRELIMINARY	0.2 [0.008]	26.20 [1.031]	56.00 [2.205]	33.02 [1.300]	13	1-647502-3
PRELIMINARY	0.15 [0.006]	26.20 [1.031]	56.00 [2.205]	30.48 [1.200]	12	1-647502-2
PRELIMINARY	0.15 [0.006]	26.20 [1.031]	56.00 [2.205]	27.94 [1.100]	11	1-647502-1
PRELIMINARY	0.15 [0.006]	20.20 [0.795]	44.00 [1.732]	25.40 [1.000]	10	1-647502-0
PRELIMINARY	0.15 [0.006]	20.20 [0.795]	44.00 [1.732]	22.86 [0.900]	9	647502-9
	0.15 [0.006]	20.20 [0.795]	44.00 [1.732]	20.32 [0.800]	8	647502-8
	0.15 [0.006]	20.20 [0.795]	44.00 [1.732]	17.78 [0.700]	7	647502-7
	0.15 [0.006]	14.20 [0.559]	32.00 [1.260]	15.24 [0.600]	6	647502-6
	0.15 [0.006]	14.20 [0.559]	32.00 [1.260]	12.70 [0.500]	5	647502-5
	0.15 [0.006]	14.20 [0.559]	32.00 [1.260]	10.16 [0.400]	4	647502-4
	0.15 [0.006]	14.20 [0.559]	32.00 [1.260]	7.62 [0.300]	3	647502-3
OBSOLETE	0.15 [0.006]	11.50 [0.453]	24.00 [0.945]	5.08 [0.200]	2	647502-2
TOL T	DIM B	DIM A	DIM L	NO. OF POSN	PART NUMBER	

RECOMMENDED P.C. BOARD LAYOUT  
FOR USE WITH 0.25 [0.010] THICK STENCIL  
SCALE 5:1

THIS DRAWING IS A CONTROLLED DOCUMENT. DWN: R. WHITAKER, 27SEP2001  
CHK: D. BOSSI, 27SEP2001  
APVD: D. BOSSI, 27SEP2001

**STE** TE Connectivity

NAME: MTA-100 HDR ASSY, SURFACE MOUNT, FRICTION LOCK, .025 SQ STRAIGHT POST, TIN PLATED, CARRIER TAPE LOADED

SIZE: CAGE CODE: DRAWING NO: A100779 C=647502

MATERIAL: FINISH: WEIGHT: SCALE: N/A SHEET 3 OF 3 REV D2